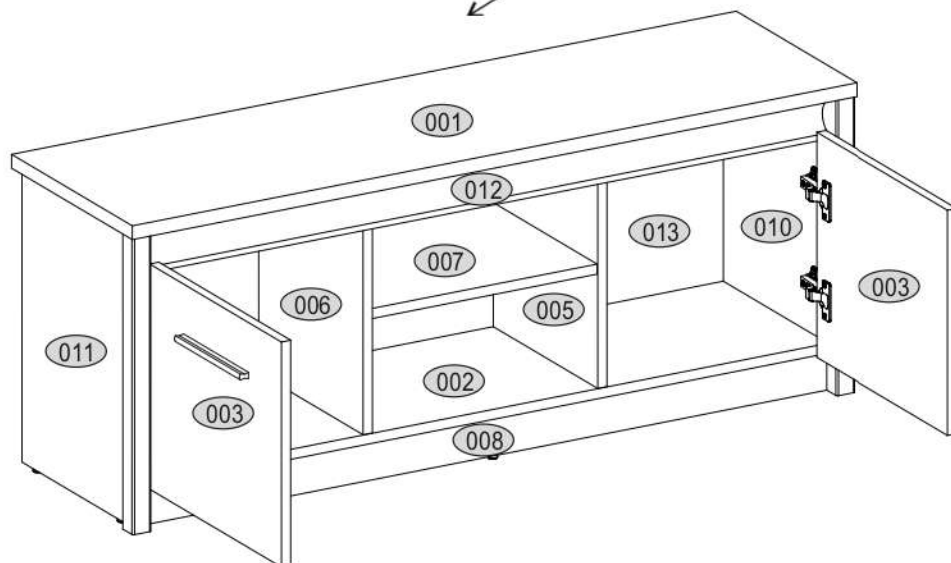
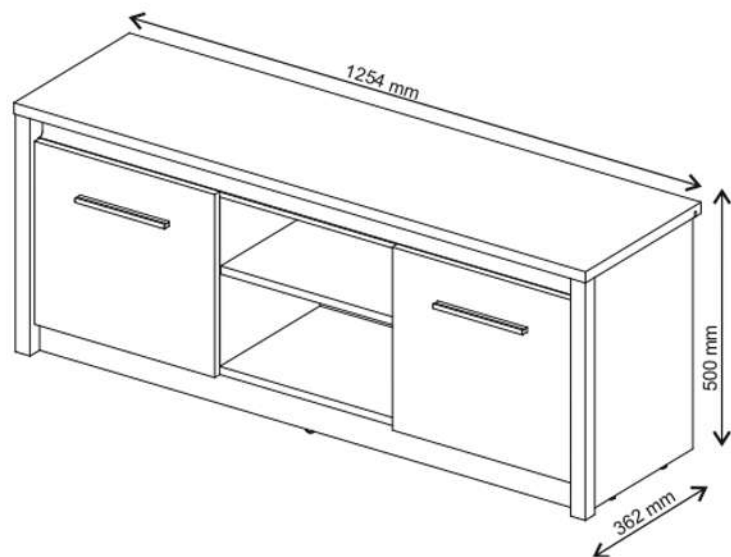
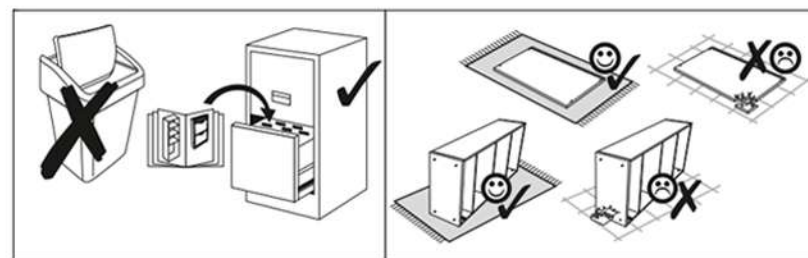
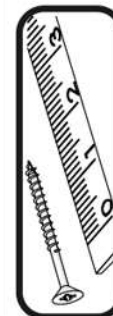








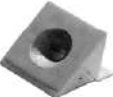







AIRON 2D 125

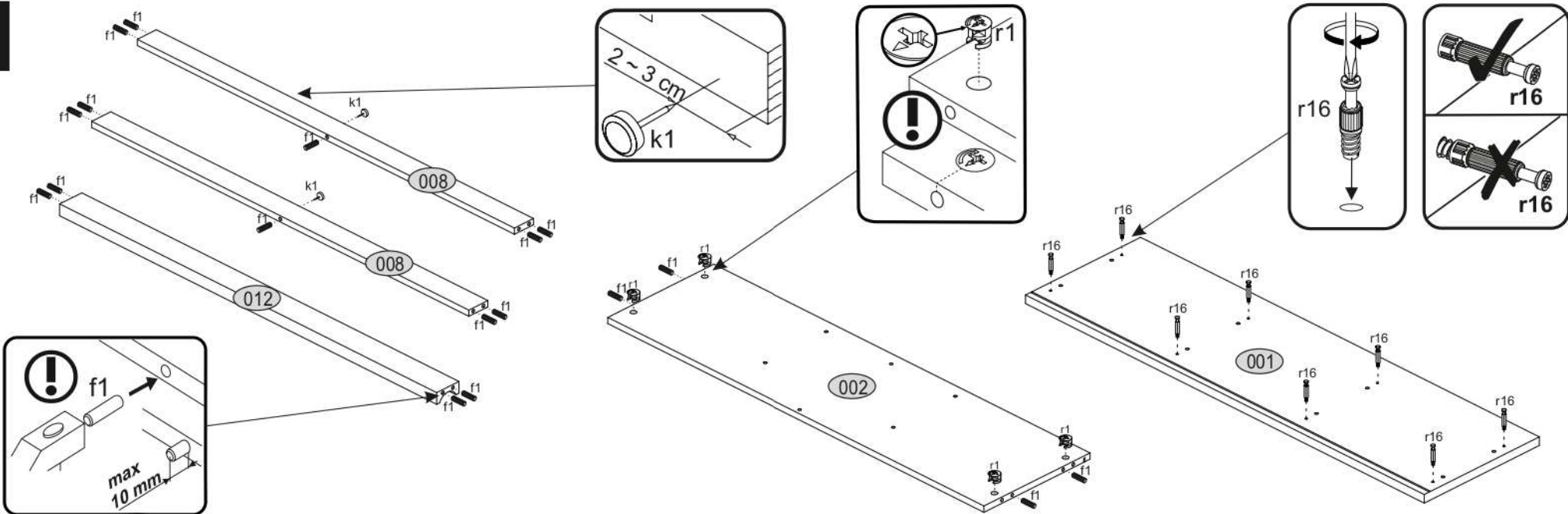


| KÓD | ROZMER | | | | BALÍK |
|---------------|--------|------|-------|---|-------|
| | 1 | 2 | 3 | 4 | |
| 001 | 1254 | 362 | 22 | 1 | 1/1 |
| 002 | 1186 | 334 | 16 | 1 | 1/1 |
| 003 | 363 | 395 | 16 | 2 | 1/1 |
| 005 | 396 | 313 | 16 | 1 | 1/1 |
| 006 | 396 | 313 | 16 | 1 | 1/1 |
| 007 | 390 | 311 | 16 | 1 | 1/1 |
| 008 | 1186 | 60 | 16 | 2 | 1/1 |
| 010 | 472 | 360 | 16/32 | 1 | 1/1 |
| 011 | 472 | 360 | 16/32 | 1 | 1/1 |
| 012 | 1186 | 60 | 30 | 1 | 1/1 |
| 013 | 417 | 1203 | 3 | 1 | 1/1 |
| PRÍSLUŠENSTVO | | | | | 1/1 |

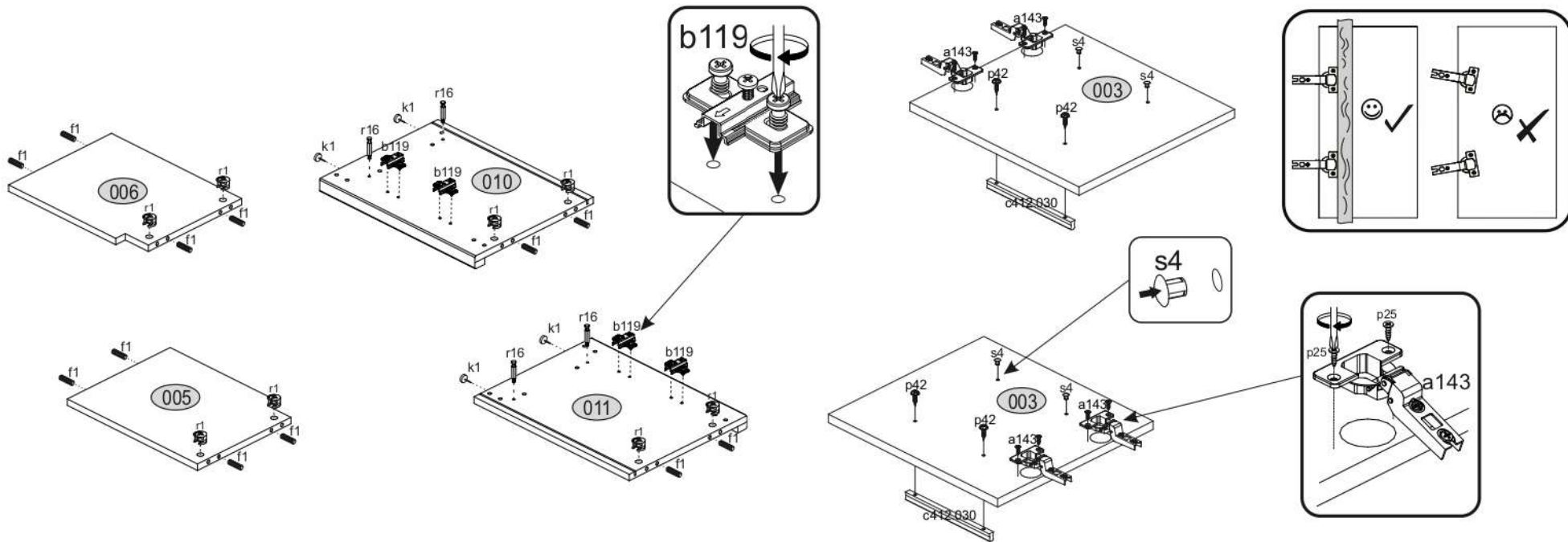


| | | | |
|--|--|--|---|
| <p>x4 e1</p> <p>Ø 7x50mm</p>  | <p>x12 r1</p> <p>Ø 15x12mm</p>  | <p>x12 r16</p>  | <p>x30 f1</p> <p>Ø 8x30mm</p>  |
| <p>x4 a143</p>  | <p>x4 b119</p>  | <p>x14 p25</p> <p>Ø 3,5x16n</p>  | <p>x4 d1</p> <p>Ø 5x17 mm</p>  |
| <p>x6 l2</p>  | <p>x2 c412.030</p>  | <p>x4 p42</p> <p>Ø 3,5x25mm</p>  | <p>x6 k1</p>  |
| <p>x4 s4</p>  | <p>x1 z1</p>  | | |

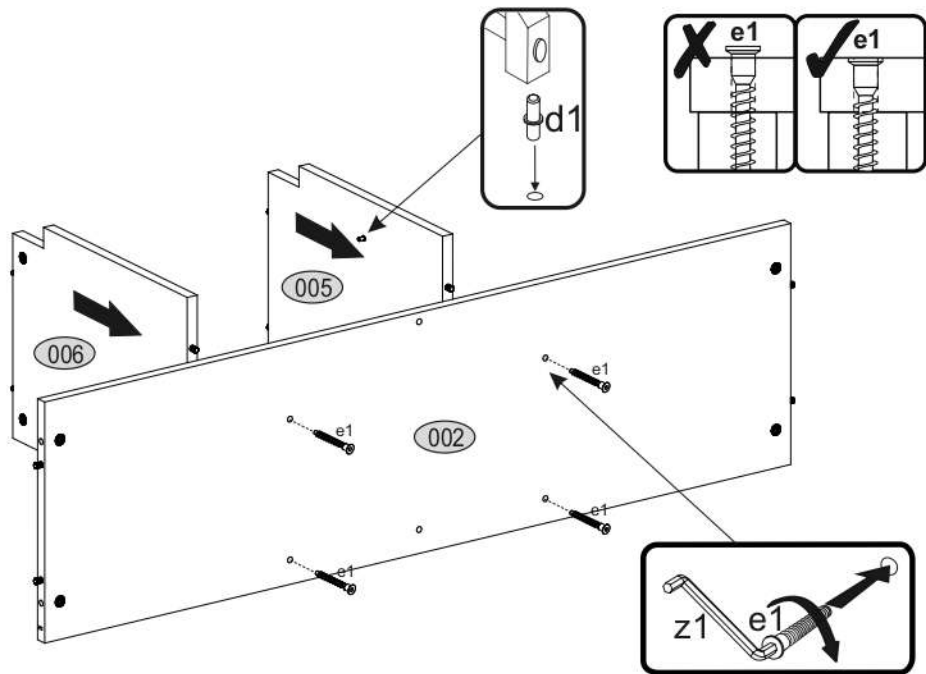
1



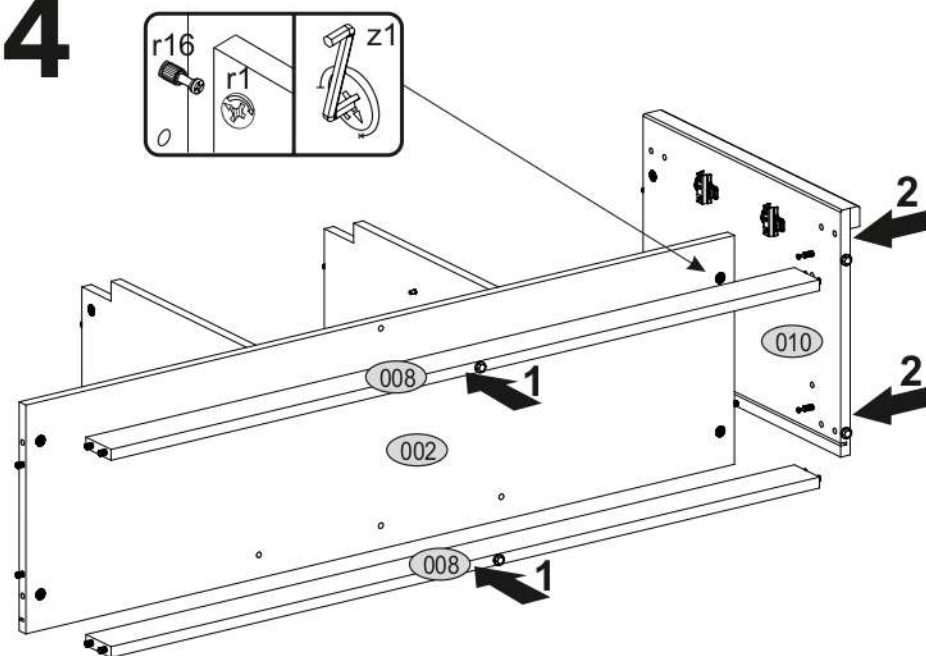
2



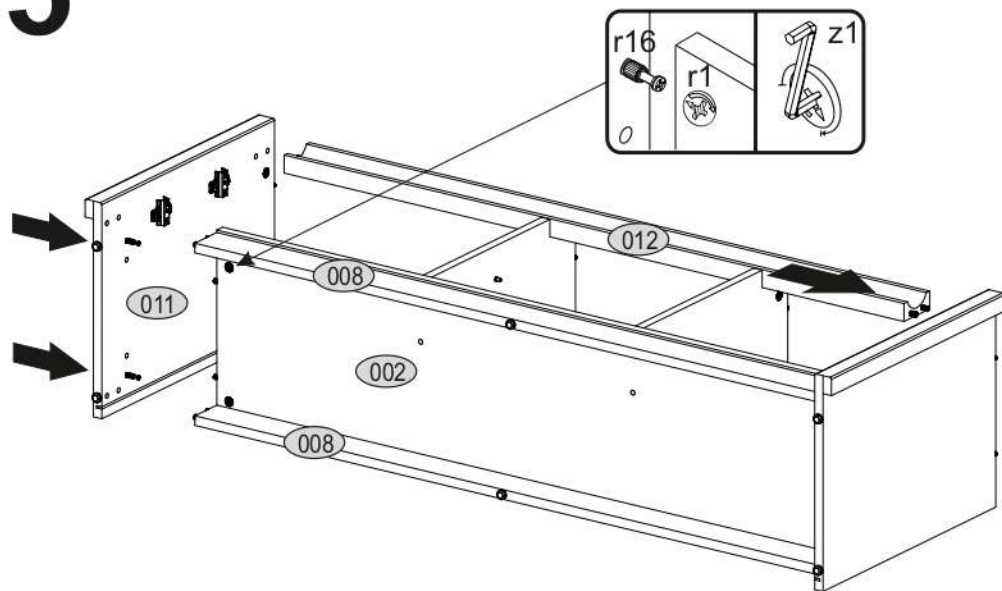
3



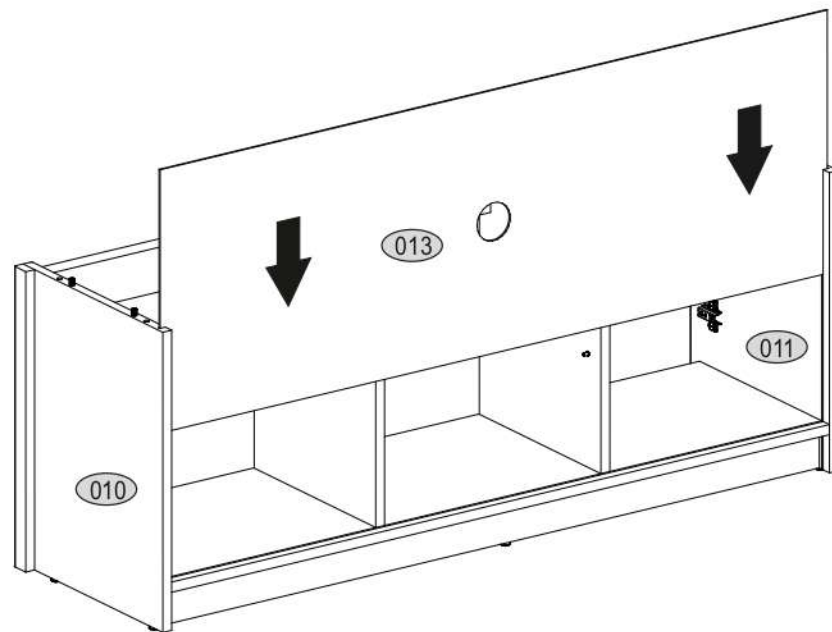
4



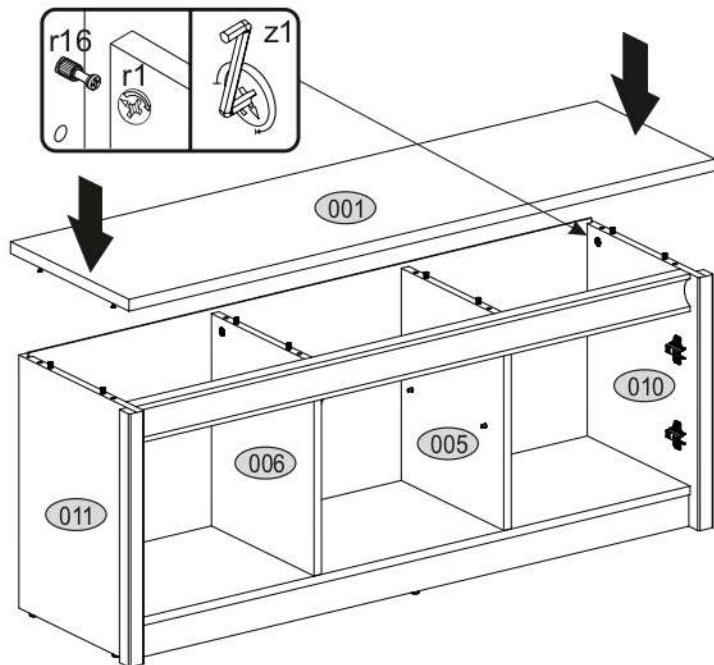
5



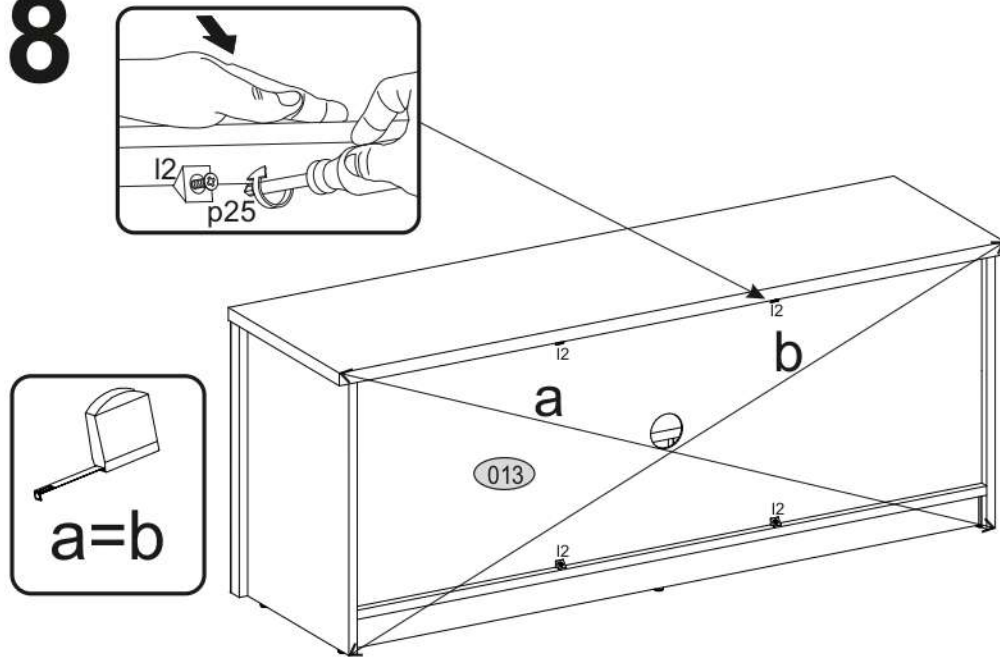
6



7



8



9

